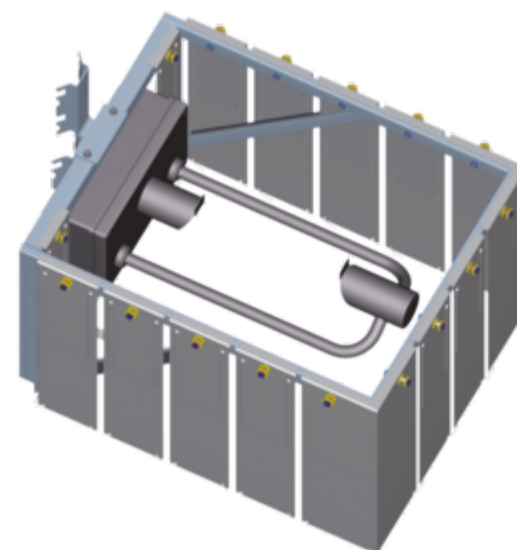


PRECIPITATION MEASURING TECHNOLOGY

Wind Protection Element

Part number: 5.4200.00.000

It provides that the precipitation gets into the Laser-Precipitation- Monitor (LNM) almost without swirling. Together with the LNM, the wind shield is mounted to a carrier or mast.



Specification

Part number: 5.4200.00.000

Material

Frame	stell, zinc plated
Laminations	stainless steel

General

Dimension	600 x 480 x 400 mm
Weight	18 kg
Mounting	Ø 48 ... 102 mm

Versions

No other versions of this product are available.

Accessories

No accessories are available for this product.