



# Say Goodbye to Inaccurate Wind Data

## Unmatched Precision

The World's best wind vane deserves the most accurate true north alignment. Get the perfect pairing of Thies CLIMA's "First Class" wind vane and Geovane for unmatched precision.

This combination delivers precise wind direction data while simplifying installation and reducing maintenance. The Geovane's automatic True North alignment eliminates the need for manual adjustment.

## Benefits

- Extreme Environment Ready: Accurate measurements in harsh conditions like high winds or cold climates.
- Lower Costs: Automated calibration cuts maintenance needs.
- Versatile Use: Ideal for wind farms, airports, and research stations.



geovane

COMPACT or FIRST CLASS

# Thies CLIMA's Wind Vanes and Geovane.

Don't struggle anymore with inaccurate wind direction data. Get the perfect combination of Thies CLIMA "First Class" wind vanes and the innovative "Geovane" to take your alignment accuracy to a whole new level!

Thies CLIMA's 1° precise wind vanes and ground-breaking Geovane make it easy to accurately reference your wind direction data to True North. The Geovane automatically determines True North to within 1° without the need for any manual alignment on site, completely removing any human error.

The True North wind vane offset is obtained by comparing the theoretical solar azimuth angle calculated by the Geovane's embedded processing unit with the observed azimuth value read by its built-in photo sensing pixels.

## First Class Wind Vanes

- 1° Precision
- Durable for harsh conditions
- Output: frequency, analog voltage, digital over a RS-485 serial interface

## Geovane

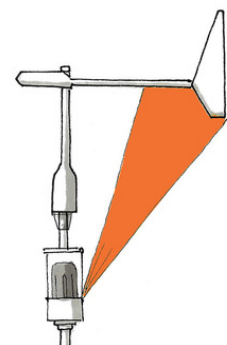
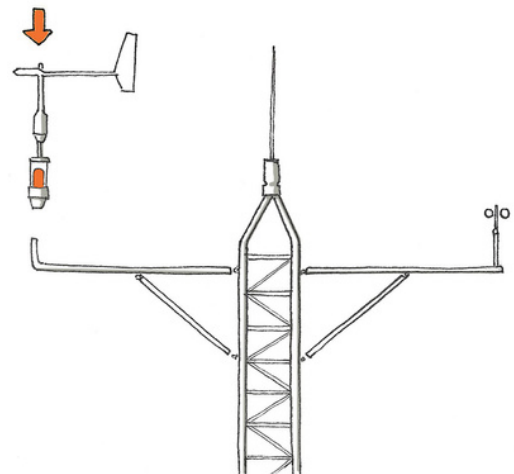
- Automatic true north detection
- 1° Accuracy without manual adjustments
- Eliminates human error
- Output: frequency, analog voltage, digital over a RS-485 serial interface

## Geovane & First Class (or Compact)

This unique combination achieves unparalleled precision in wind direction data measurement, ideal for site assessment, power curve monitoring, meteorology, airports and research.

We're here to help! Talk to us about the best model combination for your needs. Once you decide, we'll send you a pre-configured set with the wind vane and the Geovane.

## Get the Perfect Pairing for Unmatched Precision.



For more information,  
please feel free to  
contact us:

Phone: +49.551 790010  
info@thiesclima.com

[More details >](#)

